

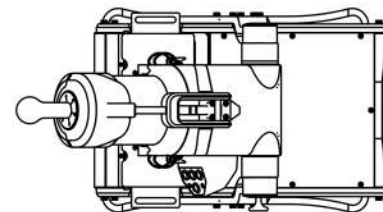
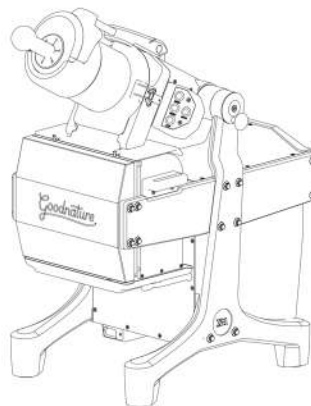
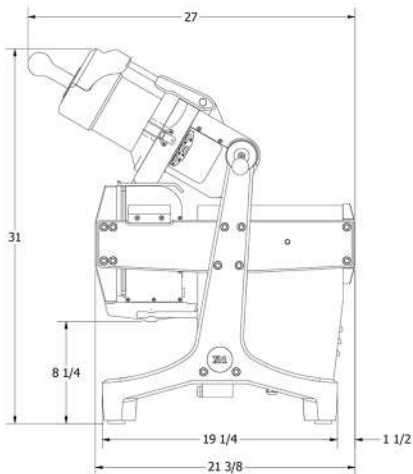
## X-1 mini



### GOODNATURE X-1 MINI COLD-PRESS SYSTEM

A step up from the M-1, the X-1 Mini produces the world's greatest juice at 3-5 servings per batch. We've taken the best features of the famous X-1, improved on them, and put them into this compact system. The perfect juicer for a small juice business producing bottled juices.

<b>PRODUCE UP TO</b> <i>40 - 60 Bottles</i> <b>PER HOUR (12 OZ SERVINGS)</b>	<b>PRODUCE UP TO</b> <i>45 - 65 Ounces</i> <b>PER BATCH (1.3-1.9 LITERS)</b>
--	--



### PRODUCT SPECS



<b>CAPACITY:</b>	5-7 LB OF PRODUCE (2.3-3.1 KG) PER BATCH
<b>OUTPUT:</b>	3-6 GALLONS (11-23 L) PER HOUR, DEPENDENT ON RECIPE
<b>ELECTRICAL RATINGS (US):</b>	SINGLE PHASE, 120V, 60 HZ, 9 AMPS
<b>ELECTRICAL RATINGS (EU):</b>	SINGLE PHASE, 220-240V, 50-60 HZ, 2 AMPS
<b>RATINGS/CERTIFICATIONS:</b>	NSF/ANSI 8, UL STD 763, CSA STD C22.2 NO.195, CE COMPLIANT IEC TESTED
<b>WEIGHT:</b>	150 LB (68 KG)
<b>DIMENSIONS:</b>	31"H x 15"W x 27"D   79CM x 38CM x 69CM
<b>MANUFACTURING:</b>	MADE IN BUFFALO, NY, USA   NAFTA CERTIFICATE AVAILABLE UPON REQUEST
<b>PRODUCE VARIETIES:</b>	APPLE, KALE, PINEAPPLE, SPINACH, ALMONDS AND OTHER NUTS, BEET, CELERY, CARROT, HERBS, LEMON, OATS, AND HUNDREDS MORE